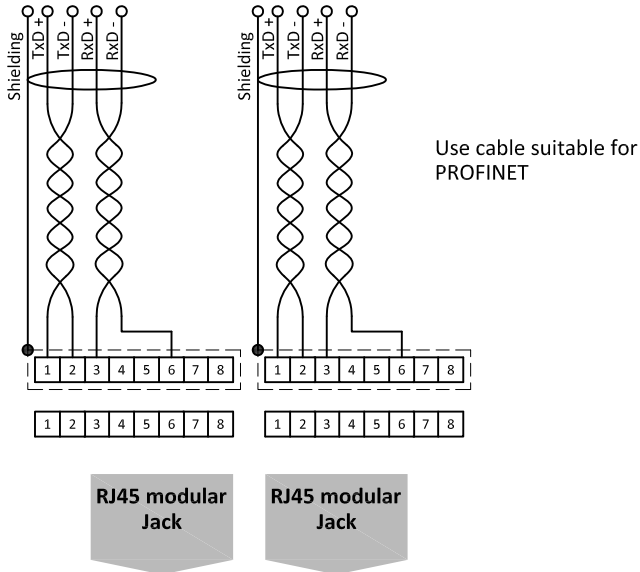
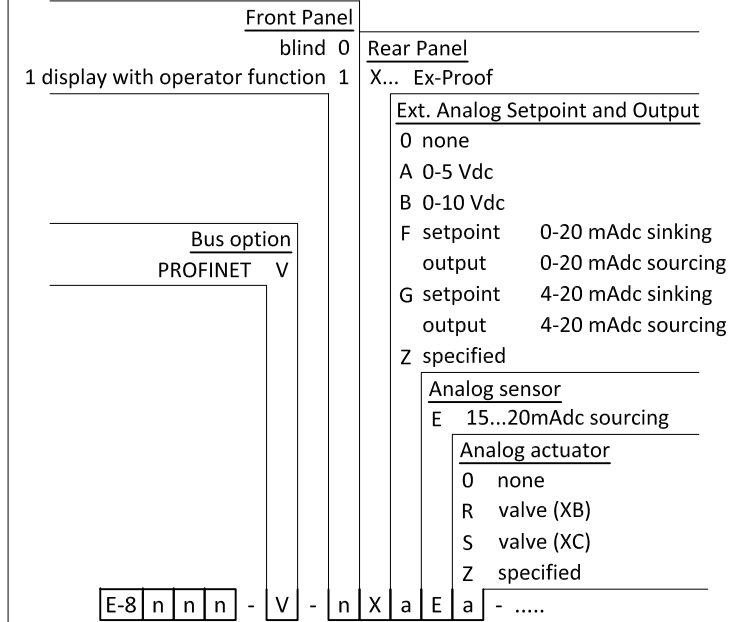


PROFINET connection

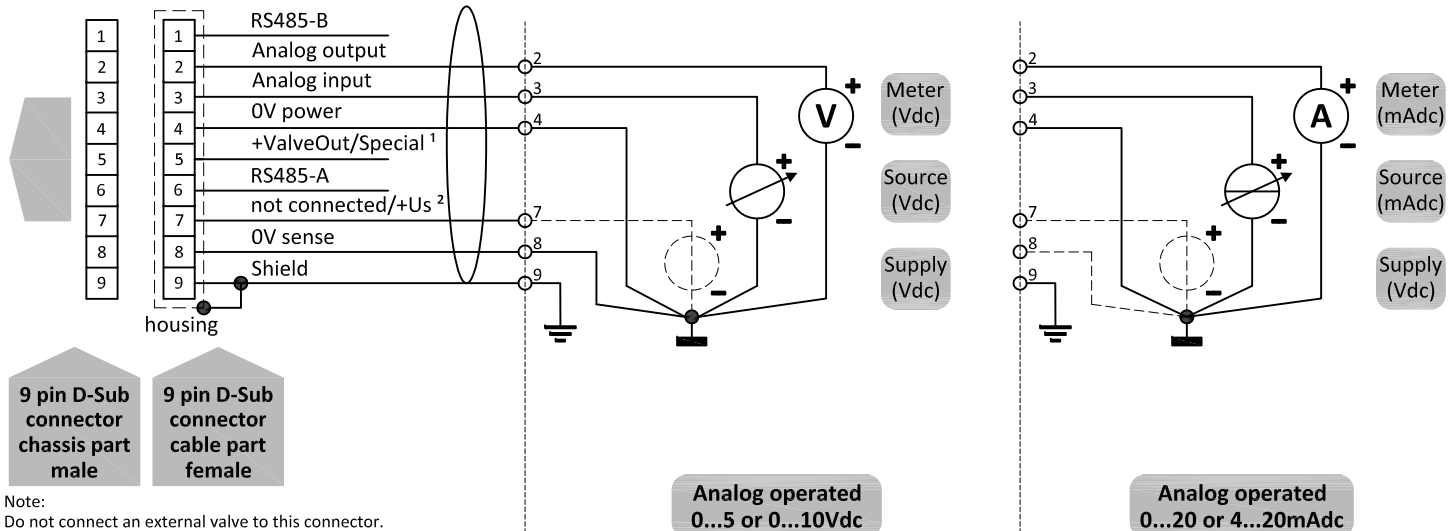
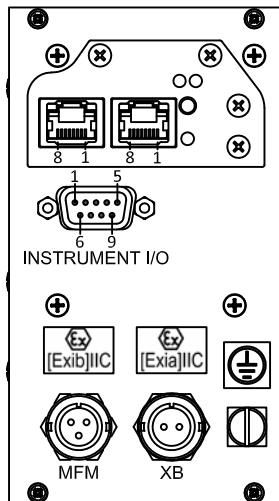


Model key explanation



2x RJ45 connector chassis part female

9 pin D-Sub connector chassis part male



Note:
Do not connect an external valve to this connector.

Note:
1) +Valve out is 0...10Vdc 1mA.
2) For stand alone version: External power supply (+Us) = 24Vdc ±10%.

Analog operated
0...5 or 0...10Vdc

Analog operated
0...20 or 4...20mAdc

Note:
When using a field bus or RS232, it is not possible to operate the instrument by using the setpoint signal of the analog D-sub connector without changing the value of parameter "control mode". See doc.nr. 9.17.023 for more details.